

# SJ138600

MANUAL SCREWJACK OPENER

HIGHLINE  
MANUAL



## DESCRIPTION

- Manual Screwjack Opener to operate high level rooflights.
- Can be fitted to most window types Aluminium, Timber or UPVC.
- Individual or multiple SJ138600 Screwjack Openers can be controlled from a single T200, T210 or T300 operator.
- Supplied complete with fixing brackets.

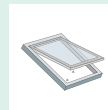
## OPENING STROKE

- 380mm

## COLOURS

- White (RAL 9010)

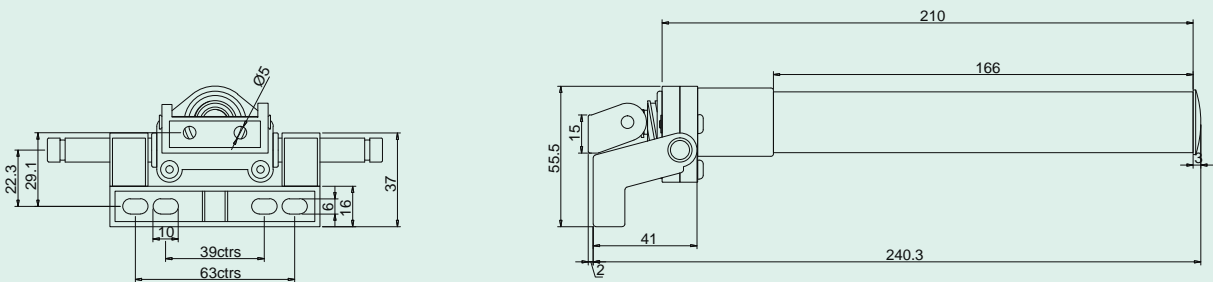
## WINDOW TYPES



# TECHNICAL DATA

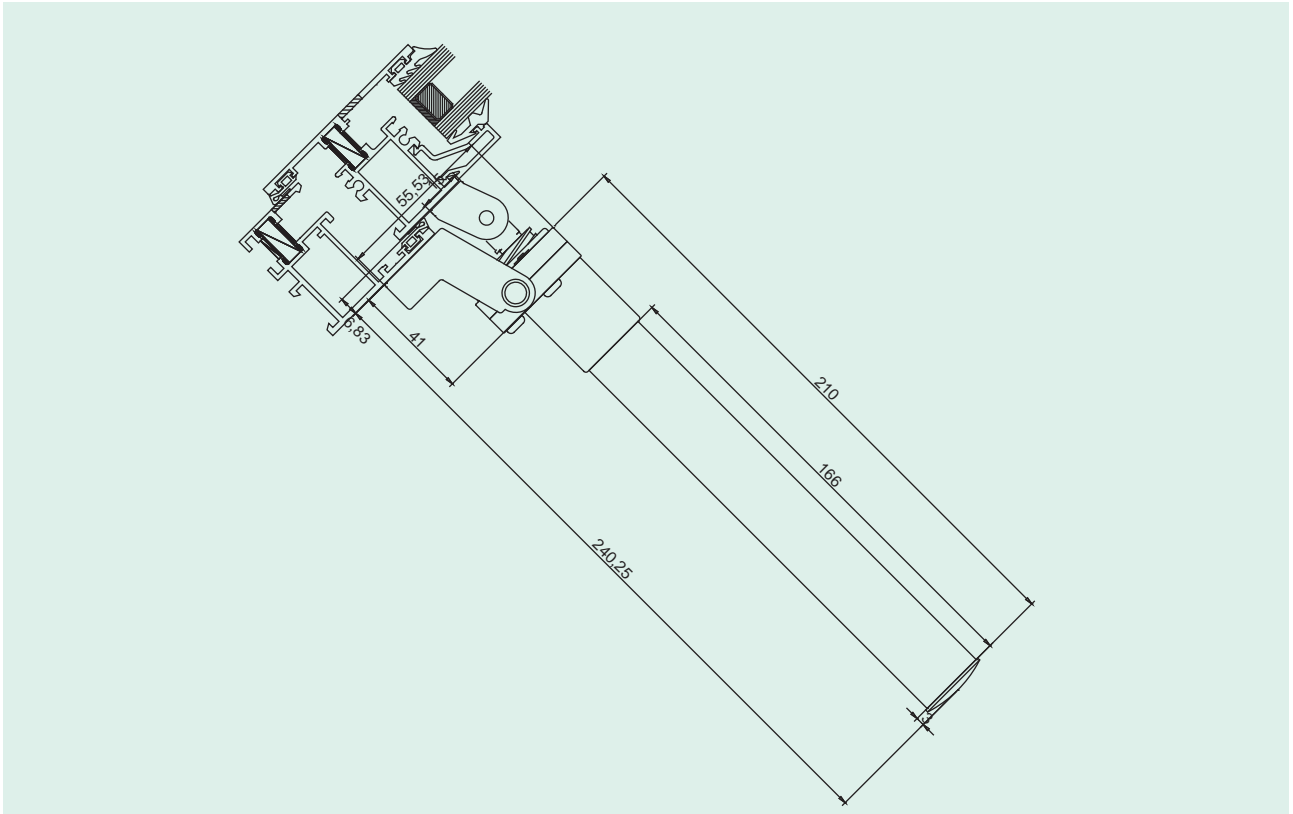
CODE	STROKE	COLOUR	MAX. WINDOW WIDTH	OPERATOR
SJ138600	380mm	WHITE (RAL 9010)	< 1m	T200 / T210 / T300

## DIMENSIONS

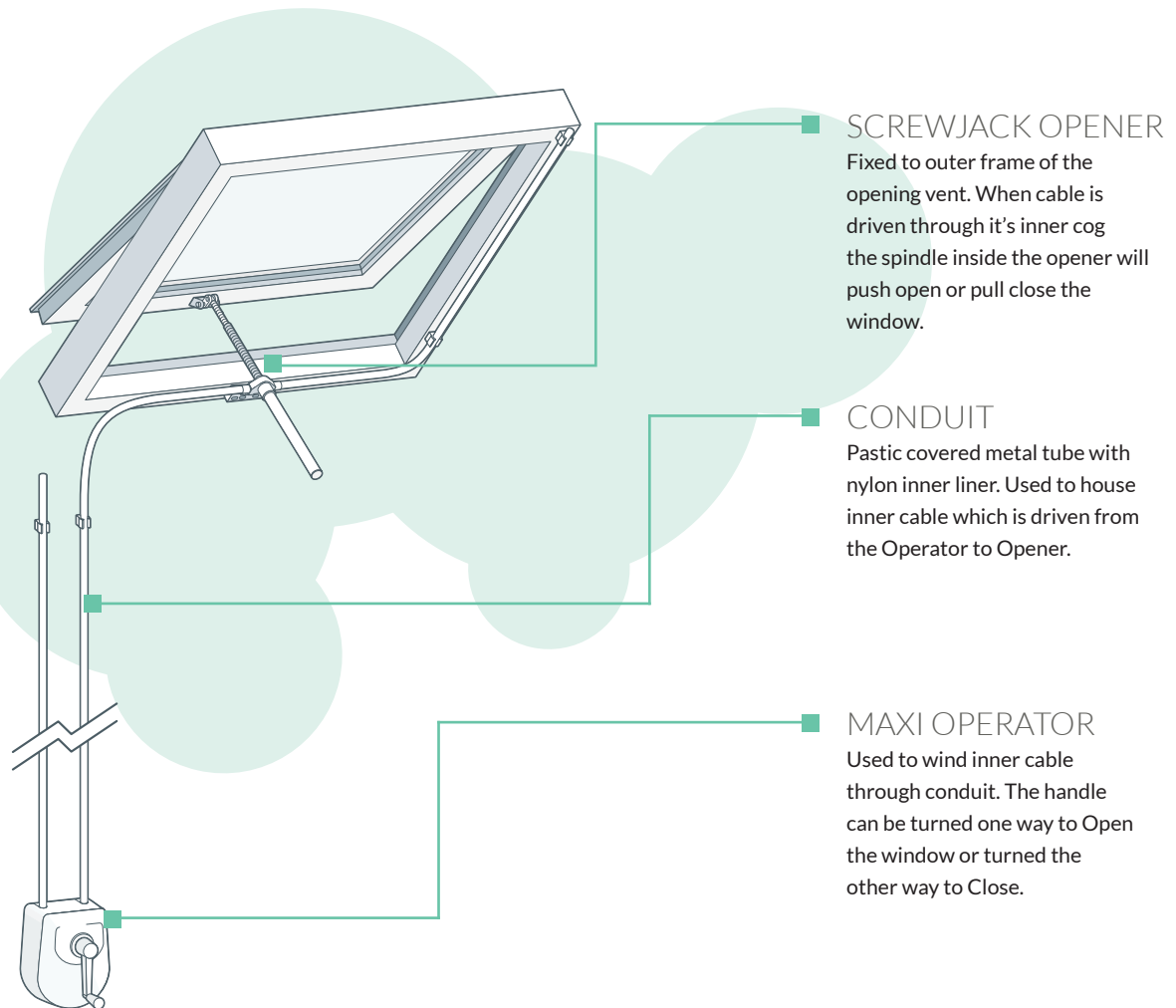


# BRACKETS

■ PITCHED ROOFLIGHT



# APPLICATION



## ■ EXAMPLES

