

T100

MANUAL CHAIN OPENER



DESCRIPTION

- The most popular type of Manual window opener with a 250mm opening stroke.
- Can be fitted to most window types Aluminium, Timber or UPVC.
- Individual or multiple T150 Chain Openers can be controlled from a single T200, T210, T250 or T300 operator.
- Various fixing brackets available (each sold separately).
- Supplied complete with vent bracket.

OPENING STROKE

- 250mm
- 380mm (see T150 Datasheet)

COLOURS

- White (RAL 9010)
- Black (RAL 9005)
- Silver (RAL 9006)

WINDOW TYPES



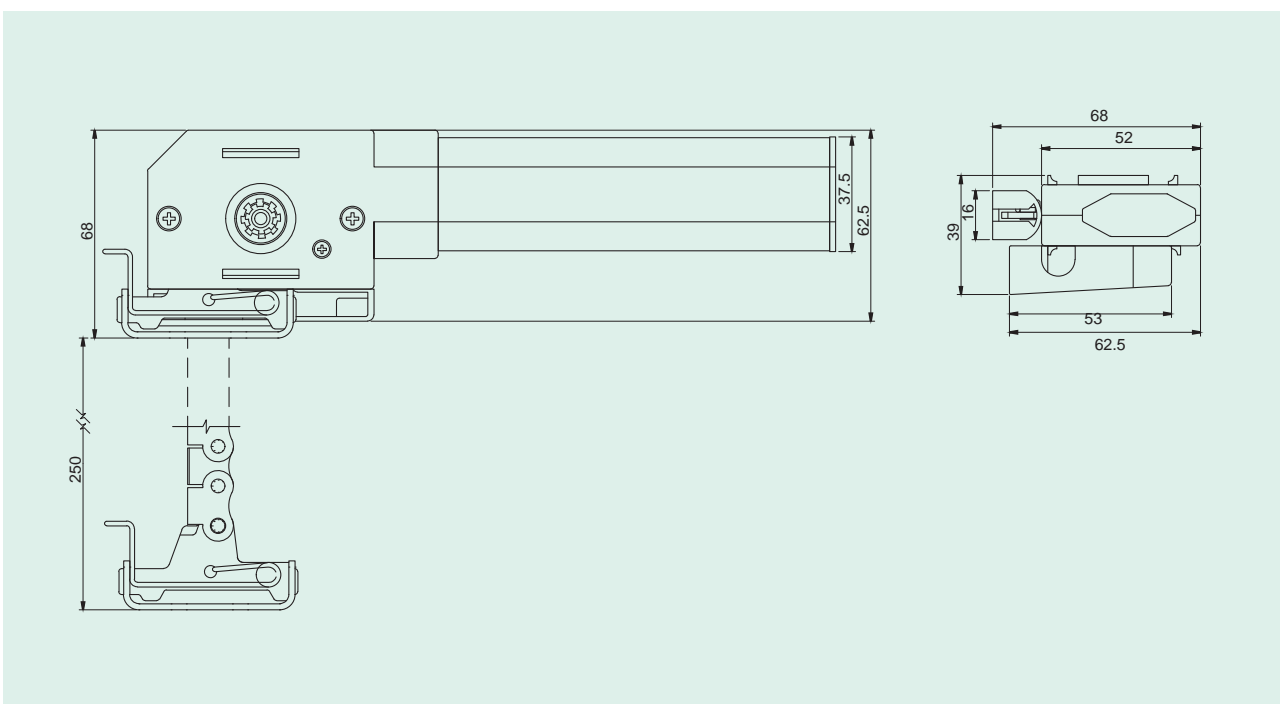
TECHNICAL DATA

CODE	STROKE	COLOUR	MAX. WINDOW WIDTH	OPERATOR
T100NTB	250mm	BLACK (RAL 9005)	< 1m	T200 / T210 / T250 / T300
T100NTG	250mm	GREY (RAL 9006)	< 1m	T200 / T210 / T250 / T300
T100NTW	250mm	WHITE (RAL 9010)	< 1m	T200 / T210 / T250 / T300

ACCESSORIES

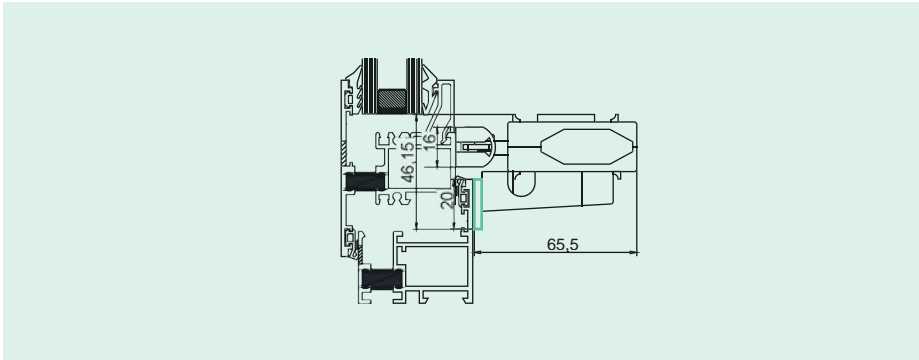
CODE	DESCRIPTION
T740B	Narrow Fixing Plate Black
T740G	Narrow Fixing Plate Grey
T740W	Narrow Fixing Plate White
T750B	Wide Fixing Plate Black
T750G	Wide Fixing Plate Grey
T750W	Wide Fixing Plate White
T760B	Angled Fixing Plate Black
T760G	Angled Fixing Plate Grey
T760W	Angled Fixing Plate White
T850NTB	Inward Opening Bracket Set Black
T850NTG	Inward Opening Bracket Set Grey
T850NTW	Inward Opening Bracket Set White

DIMENSIONS

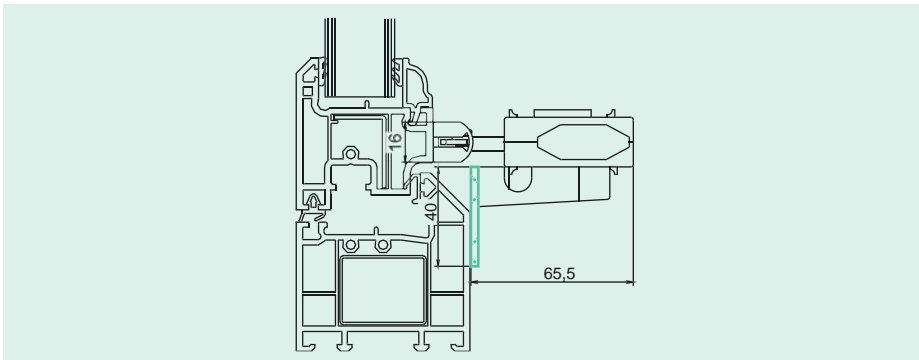


BRACKETS

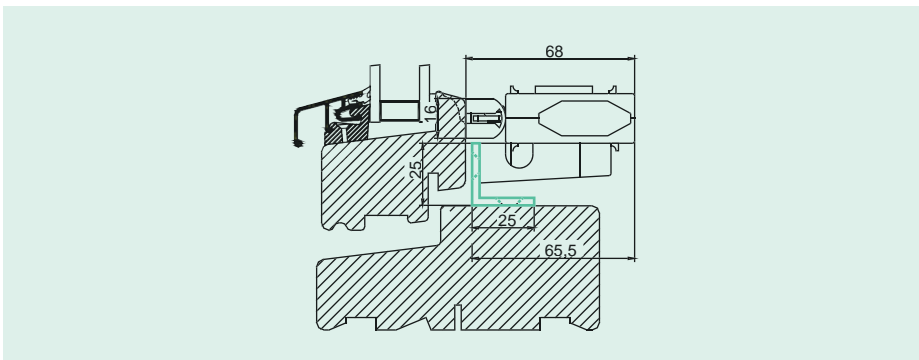
■ TOP-HUNG (ALUMINIUM)



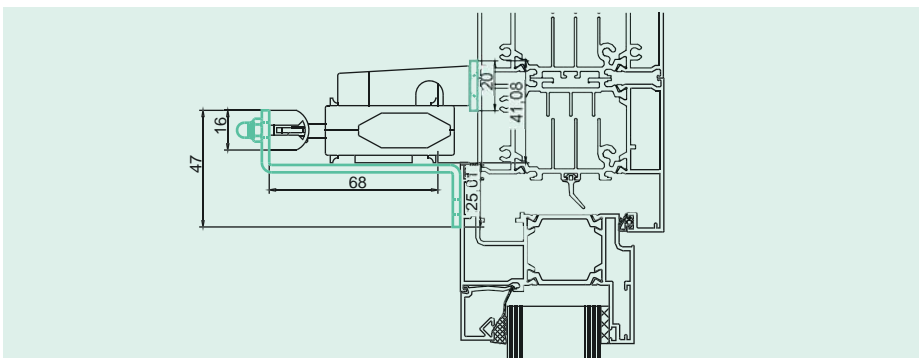
■ TOP-HUNG (UPVC)



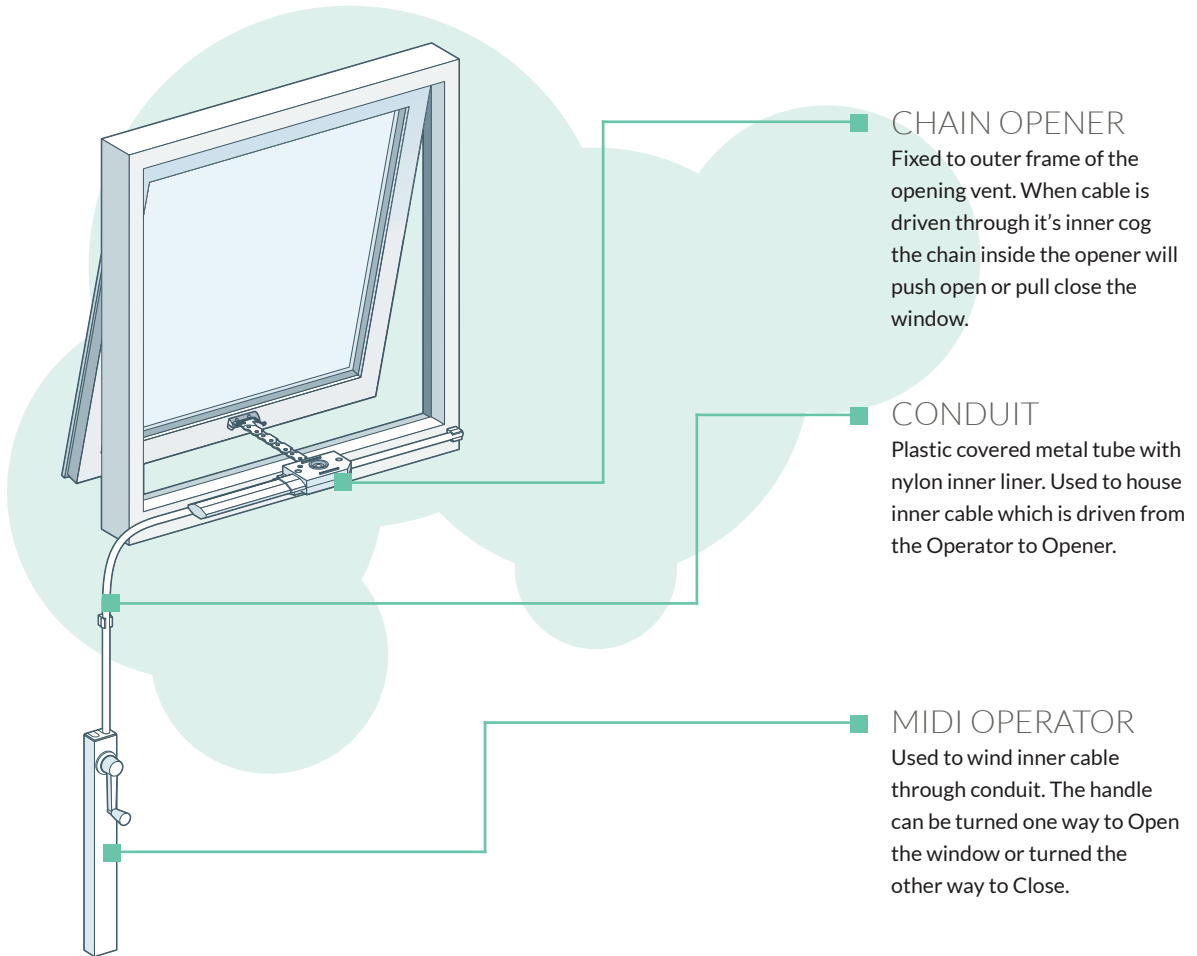
■ TOP-HUNG (TIMBER)



■ INWARD OPENING



APPLICATION



EXAMPLES

