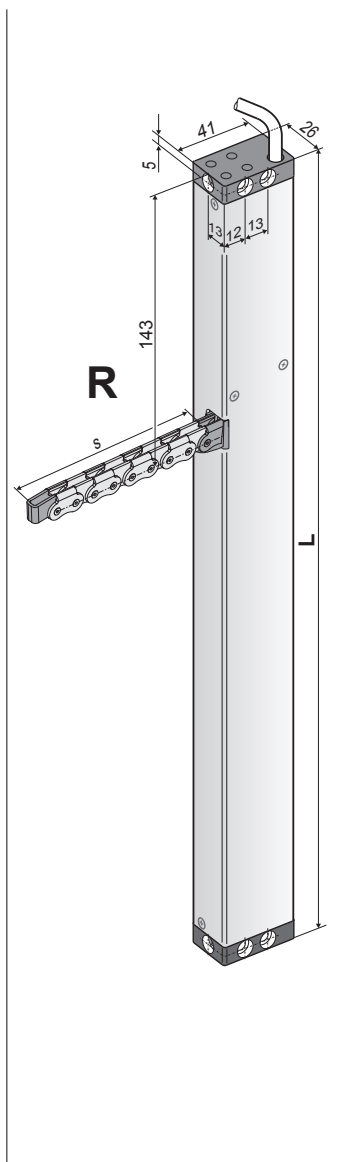


- Application: natural ventilation, SHEV, ferralux®-NSHEV
- Internal Intelligent Control Electronics S12
- Z-Version: Programmable feedback limit position „OPEN“ and „CLOSE“ (max. 24 V, 500 mA)

### Options

- Programmable special functions
- M-COM for automatic synchronised run of multi drive systems and automatic sequence control with locking drives (S3 / S12)



### TECHNICAL DATA

$U_N$	Rated voltage	24V DC ( $\pm 20\%$ ), max. 2 Vpp															
$I_N$	Rated current	0,7 A															
$I_A$	Cut-off current	1,0 A															
$P_N$	Rated power	17 W															
ED	Duty cycle	30 % (ON: 3 min./OFF: 7 min.)															
	Protection rating	IP 32															
	Ambient temperature range	-5 °C ... +75 °C															
$F_Z$	Pulling force max.	250 N															
$F_A$	Pushing force	100 N															
		s > 600 mm only for pulling application															
$F_H$	Pullout force	1.800 N (fastening depended)															
	Chain	Stainless steel, without protruding rivet heads. Simple connection to casement brackets. Small bending radii allow maximum opening angles of small windows.															
	Connecting cable	non-halogen, grey 3 x 0,5 mm <sup>2</sup> , ~ 3 m Z-Version: 5 x 0,5 mm <sup>2</sup> ~ 3 m															
v	Speed	<table border="0"> <tr> <td>s &lt; 400</td> <td></td> <td>8,0 mm/s</td> <td></td> <td>8,0 mm/s</td> </tr> <tr> <td>s 500 – 600</td> <td></td> <td>12,0 mm/s</td> <td></td> <td>8,0 mm/s</td> </tr> <tr> <td>s &gt; 600</td> <td></td> <td>13,5 mm/s</td> <td></td> <td>8,0 mm/s</td> </tr> </table>	s < 400		8,0 mm/s		8,0 mm/s	s 500 – 600		12,0 mm/s		8,0 mm/s	s > 600		13,5 mm/s		8,0 mm/s
s < 400		8,0 mm/s		8,0 mm/s													
s 500 – 600		12,0 mm/s		8,0 mm/s													
s > 600		13,5 mm/s		8,0 mm/s													
s	Stroke	50 – 1000 mm ( $\pm 5\%$ )															
L	Length	see order data															
	Sound pressure level A	$\leq 70$ dB (A)															

ORDER DATA							
s [mm]	L [mm]	Version	Finish	PU/pcs.	Part.-No.		
200	335	KS2 200 S12 24V R	E6/C-0	1	<b>521620</b>		
		KS2 200 S12 24V R Z	E6/C-0	1	<b>521623</b>		
300	380	KS2 300 S12 24V R	E6/C-0	1	<b>521630</b>		
		KS2 300 S12 24V R Z	E6/C-0	1	<b>521633</b>		
400	430	KS2 400 S12 24V R	E6/C-0	1	<b>521640</b>		
		KS2 400 S12 24V R Z	E6/C-0	1	<b>521643</b>		
500	545	KS2 500 S12 24V R	E6/C-0	1	<b>521650</b>		
		KS2 500 S12 24V R Z	E6/C-0	1	<b>521653</b>		
600	545	KS2 600 S12 24V R	E6/C-0	1	<b>521660</b>		
		KS2 600 S12 24V R Z	E6/C-0	1	<b>521663</b>		
800	625	KS2 800 S12 24V R	E6/C-0	1	<b>521680</b>		
		KS2 800 S12 24V R Z	E6/C-0	1	<b>521683</b>		

OPTIONS							
Special model		PU/pcs.	Part.-No.				
<b>Drive housing painted/powder coated in other RAL colours</b>							
<b>Lump sum for coating</b>					<b>516030</b>		
Specify at order stage:		1 – 20	<b>516004</b>				
		21 – 50	<b>516004</b>				
		51 – 100	<b>516004</b>				
		up 101	<b>516004</b>				
<b>Extra length connecting cable:</b>							
5 m – non-halogen, grey – 3 x 0,5 mm <sup>2</sup>					<b>501034</b>		
10 m – non-halogen, grey – 3 x 0,5 mm <sup>2</sup>					<b>501036</b>		
5 m – non-halogen, grey – 5 x 0,5 mm <sup>2</sup>					<b>501054</b>		
10 m – non-halogen, grey – 5 x 0,5 mm <sup>2</sup>					<b>501056</b>		
<b>Microprocessor programming S12</b>							
Electronic stroke reduction 24V S12					<b>524190</b>		
Programming drives 24V / 230V S12					<b>524180</b>		
<b>Optional accessories</b>							
M-COM Configuration module for synchronised multi-drive systems				1	<b>524177</b>		