

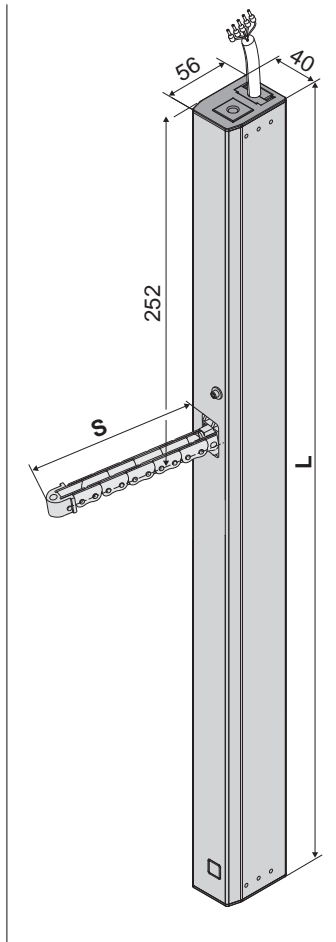
- Application: natural ventilation, SHEV, ferralux®-NSHEV
- Internal Intelligent Control Electronics S12
- Adjustable chain tension / Mechanical chain unlocking

### Equipment

- Additional universal plug set for multi-drive operation

### Options

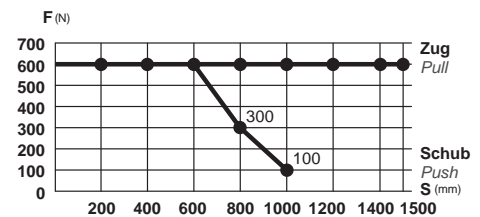
- Programmable special functions
- M-COM for automatic synchronised run of multi drive systems and automatic sequence control with locking drives (S3 / S12)



### TECHNICAL DATA

$U_N$	Rated voltage	24V DC ( $\pm 20\%$ ), max. 2 Vpp
$I_N$	Rated current	0,9 A
$I_A$	Cut-off current	1,2 A
P	Rated power	22 W
ED	Duty cycle	30 % (ON: 3 min./OFF: 7 min.)
	Protection rating	IP 32
	Ambient temperature range	-5 °C ... +75 °C
F	Pulling force max.	600 N

Pushing force



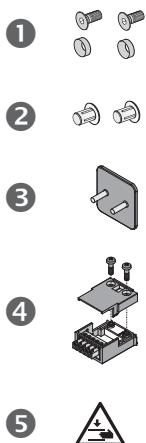
s > 800 mm only for pulling application

	Pullout force	3.000 N (fastening depended)															
	Chain	stainless steel															
	Connecting cable	non-halogen, grey 5 x 0,5 mm <sup>2</sup> , ~ 3 m															
	Speed	<table border="0"> <tr> <td>s &lt; 400</td> <td></td> <td>8,0 mm/s</td> <td></td> <td>8,0 mm/s</td> </tr> <tr> <td>s 500 – 600</td> <td></td> <td>12,0 mm/s</td> <td></td> <td>8,0 mm/s</td> </tr> <tr> <td>s &gt; 600</td> <td></td> <td>13,5 mm/s</td> <td></td> <td>8,0 mm/s</td> </tr> </table>	s < 400		8,0 mm/s		8,0 mm/s	s 500 – 600		12,0 mm/s		8,0 mm/s	s > 600		13,5 mm/s		8,0 mm/s
s < 400		8,0 mm/s		8,0 mm/s													
s 500 – 600		12,0 mm/s		8,0 mm/s													
s > 600		13,5 mm/s		8,0 mm/s													

S	Stroke	250 – 1.500 mm ( $\pm 5\%$ )
L	Length	see order data
	Sound pressure level A	$\leq 70$ dB (A)

### In delivery

- 1 2x countersunk screws M8x16 and 2x Spacer ring (brass)
- 2 2x blind plug for unused cable entry
- 3 1x chain unlocking key
- 4 1x Aumüller-Click plug solution
- 5 1x warning sign sticker „Risk of entrapment“



ORDER DATA						
s [mm]	L [mm]	Version	Finish	PU / pcs.	Part.-No.	
250	515	KSA 250 S12 24V	E6/C-0	1	522725	
300	591	KSA 300 S12 24V	E6/C-0	1	522730	
400	591	KSA 400 S12 24V	E6/C-0	1	522740	
500	693	KSA 500 S12 24V	E6/C-0	1	522750	
600	693	KSA 600 S12 24V	E6/C-0	1	522760	
800	794	KSA 800 S12 24V	E6/C-0	1	522780	
1000	896	KSA 1000 S12 24V	E6/C-0	1	522810	
1200	998	KSA 1200 S12 24V	E6/C-0	1	522812	
1500	1151	KSA 1500 S12 24V	E6/C-0	1	522815	

OPTIONS			
Special model	PU / pcs.	Part.-No.	
<b>Drive housing painted/powder coated in other RAL colours</b>			
<b>Lump sum for coating</b>		516030	
Specify at order stage:	1 – 20	516004	
	21 – 50	516004	
	51 – 100	516004	
	up 101	516004	
<b>Extra length connecting cable:</b>			
Aumüller-Click plug solution - 1 m – non-halogen, grey – 5 x 0,5 mm <sup>2</sup>		501250	
Aumüller-Click plug solution - 2 m – non-halogen, grey – 5 x 0,5 mm <sup>2</sup>		501258	
Aumüller-Click plug solution - 5 m – non-halogen, grey – 5 x 0,5 mm <sup>2</sup>		501252	
Aumüller-Click plug solution - 10 m – non-halogen, grey – 5 x 0,5 mm <sup>2</sup>		501253	
<b>Microprocessor programming S12</b>			
Electronic stroke reduction 24V S12		524190	
Programming drives 24V / 230V S12		524180	
<b>Optional accessories</b>			
M-COM® Click Configuration module for synchronised multi-drive systems	1	524167	
M-COM Configuration module for synchronised multi-drive systems	1	524177	